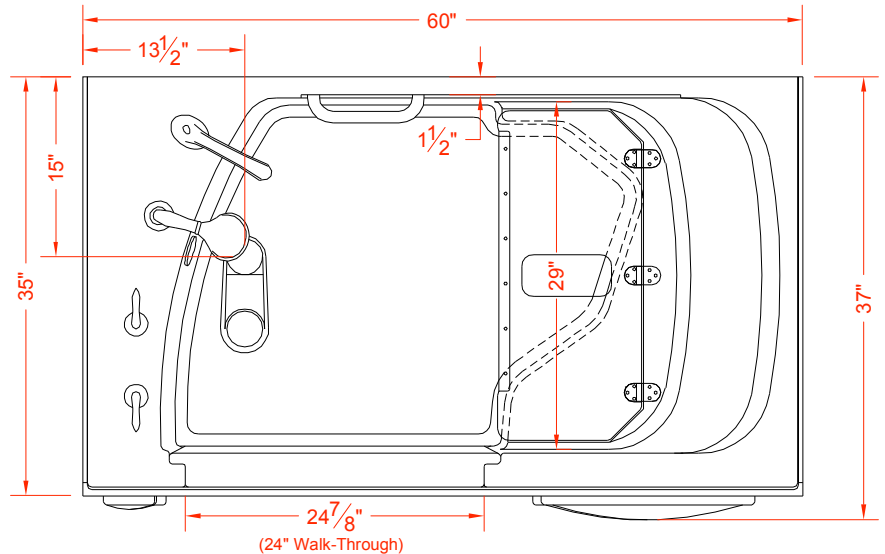


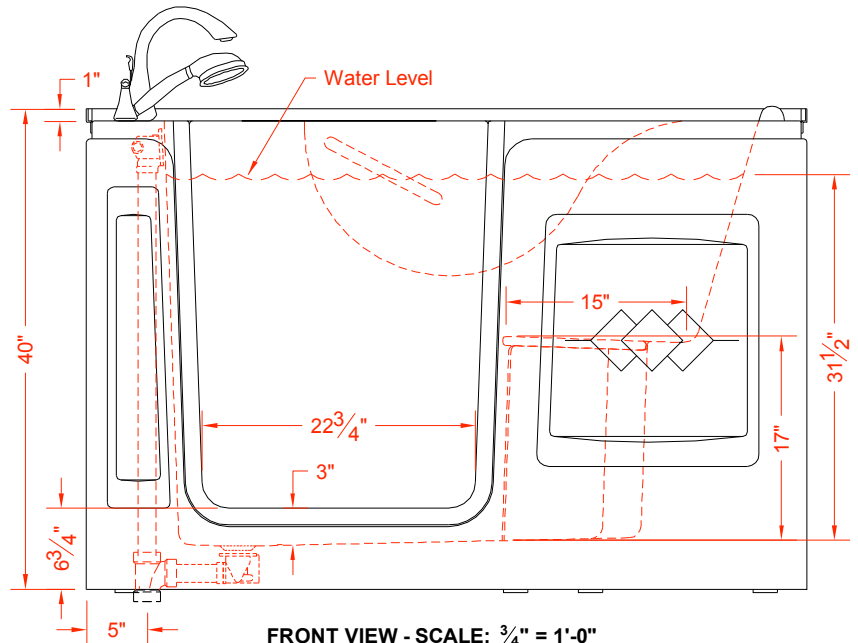
**PERSPECTIVE VIEW - N.T.S.  
MODEL SHOWN HERE AS:  
LEFT HAND  
PLUMBING OPTIONAL**



**TOP VIEW - SCALE 3/4" = 1'-0"**

## Features:

- Swing up seat for easy entry
- Seat height is designed for ease of sitting and standing
- Extra deep for a full body soak
- Largest door opening available
- Innovative new door handle designed for easy operation
- Allows you the freedom to rehab at home
- Installs in alcove, corner or along a wall
- \*-Optional solid end panels for corner or open wall installation
- Limited lifetime warranty



**FRONT VIEW - SCALE: 3/4" = 1'-0"**

## PRODUCT SPECIFICATIONS:

-Extra Large Walk-in bathtub with pressure sealed door shall be of gelcoat / fiberglass construction, have an integral front skirt and magnetically attached access panels for plumbing.

C.S.I. FORMAT SPECIFICATION TEXT AVAILABLE

## PRODUCT INFORMATION:

- Accessories: Factory installed Tub Bar and optional plumbing rough-in, all others installed by others
- Colors: White as standard, Almond optional
- Also available with sprayable solid surface in many colors
- Fill volume with a 400 lbs. bather: 130 gallons
- Tub weight, dry, approx. 340 lbs. (385 on pallet)
- Total weight of tub, bather, and water: approx. 1960 lbs.

## ACCESSORIES:

### STANDARD:

- Tub bar
- Cable operated tub drain
- Side Flanges

### OPTIONAL:

- Roman tub filler
- Hand shower
- Thermostatic mixing valve
- Grab bars for installation on wall surround
- Second tub drain for faster exit

## CODES:

Designed and manufactured in compliance with the following standards and codes:

- I.A.P.M.O. / A.N.S.I. Z124.1.2-2005 Plastic Bathtubs and Showers
- A.S.M.E. A112.19.15-2001 Bathtubs / Whirlpool Bathtubs with pressure sealed doors



*We reserve the right to make revisions without notice in the design of fixtures or in packaging unless this right has specifically been waived at the time the order is accepted.*