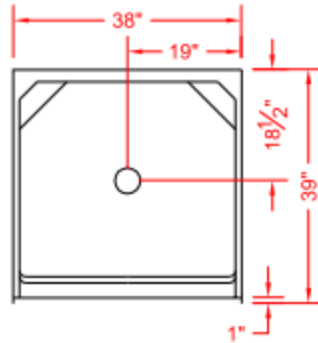
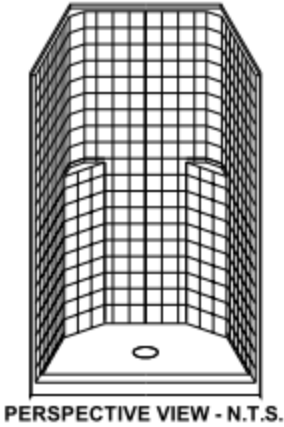


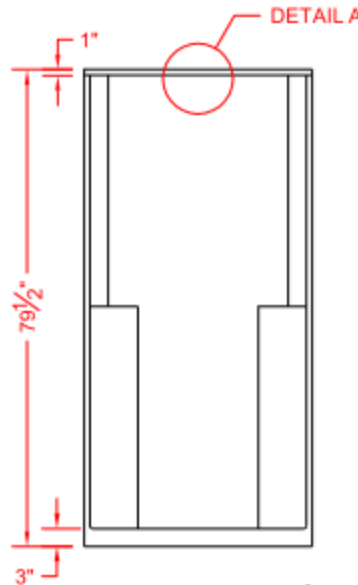
MODEL: LCS3838CP

ALL ACCESSORIES OPTIONAL

**Independent
Living**



TOP VIEW - SCALE $\frac{3}{8}'' = 1'-0''$



FRONT ELEVATION - SCALE: $\frac{3}{8}'' = 1'-0''$

Features:

- Molded, one piece gelcoat/fiberglass shower module
- "Classic Tile" wall finish. White (standard)
- Integral full wood backing for strength and unlimited accessory placement
- The authentic look of ceramic tile without the grout

* - SEE BACK FOR DETAIL SECTIONS

PRODUCT SPECIFICATIONS:

- One-piece shower module shall be constructed of gelcoat/fiberglass with full integral plywood backing in the walls
- Rough-In: Stud opening +1/4" -0" Nominal Dimensions.
- Door opening 35-1/2" x 75-1/4"
- C.S.I. FORMAT SPECIFICATION TEXT AVAILABLE

PRODUCT INFORMATION:

- Accessories: Factory installed, unless prone to damage during installation/shipping. Polished chrome/satin stainless standard, others available.
- Colors: White as standard, others to match any major fixture manufacturer, also available with sprayable solid surface in many colors

ACCESSORIES:

INSTALLED BY OTHERS:

- Grab bar
- Seat, folding
- Mixing valve, pressure balanced, lever handle, preplumbed tree to supply elbow
- Curtain and rod
- Caulkless Drain

CODES:

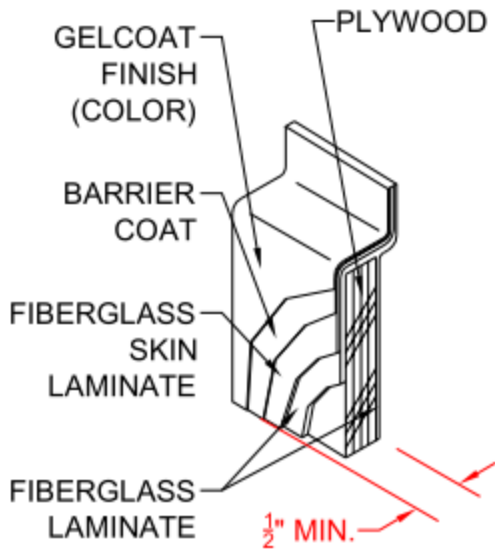
- Designed and manufactured in compliance with the following standards and codes:
- A.N.S.I. Z1241.2 Standards for plastic Bathtubs and Showers
 - I.P.C. International Plumbing Code
 - U.P.C. Uniform Plumbing Code

NOTICE OF LIMITATION:

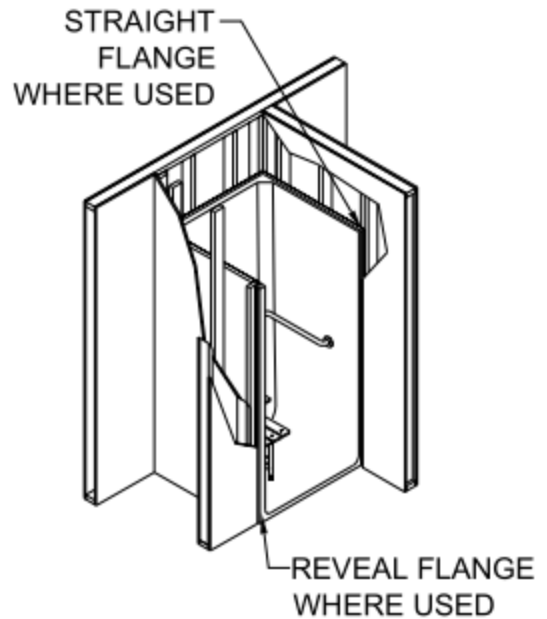


www.orcahealthcare.com
1-888-761-9451

Independent Living



DETAIL A - SCALE N.T.S.
WALL SECTION DETAIL



DETAIL B - SCALE N.T.S.
TYPICAL FRAMING DETAIL



www.orcahealthcare.com
1-888-761-9451