

MODEL: 4APRTS6034

ALL ACCESSORIES OPTIONAL

Remodeler

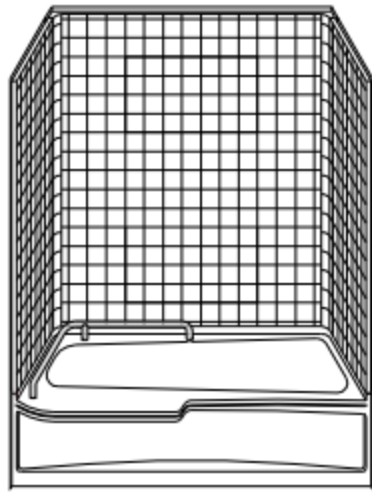


Features:

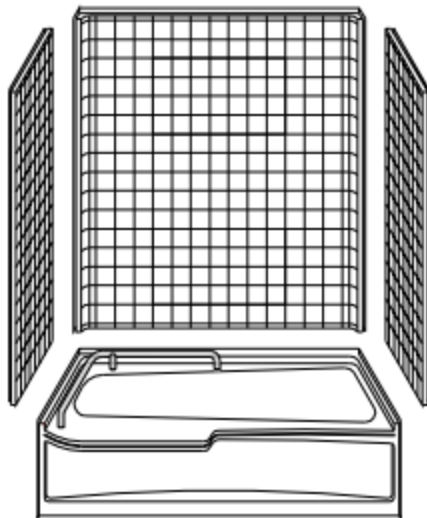
- Molded, four-piece fiberglass tub/shower
- "RealTile" wall finish, white (standard)
- Integral full wood backing for strength and unlimited accessory placement
- Seat at wheelchair height for safe and comfortable transfer for bather and caregiver
- "Waisted" center conserves water but still delivers a higher waistline for a more comfortable soak
- The virtually flat floor with straight tub walls reduce slipping in the standing area
- Functional deck bar adds both a luxurious appearance as well as a safe guard against falling
- The sturdy seat drastically reduces the chance of falling while entering and exiting
- The lowered side adds ease to entry and exit
- The entire outer edge of the tub is a subtle but functional gripping surface
- The back has an aggressive slope to maximize reclined comfort
- The contoured apron "reserves" space between the tub and toilet thus providing an area for caregivers to assume correct lifting stance and reducing risk of injury

MODEL #	UNIT HEIGHT Y	THRESHOLD HEIGHT Z*
4APRTS6034	86-1/2"	18"
-	-	-

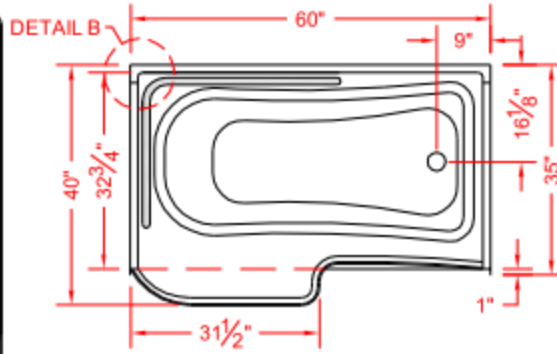
* - SEE BACK FOR DETAIL SECTIONS



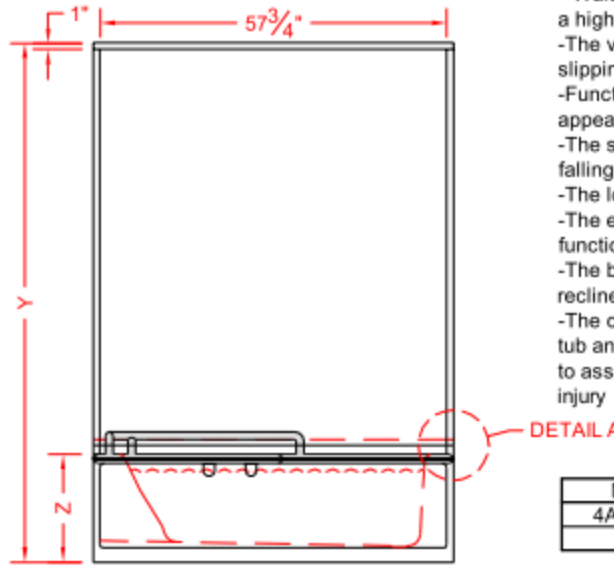
PERSPECTIVE VIEW - N.T.S.
SHOWN AS LEFT BAR RIGHT PLUMBING



ASSEMBLY VIEW - N.T.S.



TOP VIEW - SCALE $\frac{1}{8}'' = 1'-0''$



FRONT ELEVATION - SCALE: $\frac{3}{32}'' = 1'-0''$

PRODUCT SPECIFICATIONS:

- Four piece tub/shower module shall be constructed of gelcoat/fiberglass with full integral plywood backing and deck bar
- Rough-In: Stud opening +1/4" -0" Nominal Dimensions.

C.S.I. FORMAT SPECIFICATION TEXT AVAILABLE

PRODUCT INFORMATION:

- Accessories: Factory installed deck bar. All other accessories are installed by others. Polished chrome/satin stainless standard, others available.
- Colors: White as standard, others to match any major fixture manufacturer, also available with sprayable solid surface in many colors

ACCESSORIES:

INSTALLED AT FACTORY:

- Deck bar

INSTALLED BY OTHERS:

- Grab bar
- Mixing valve, pressure balanced, lever handle
- Vacuum breaker
- Soap dish
- Curtain and rod

CODES:

Designed and manufactured in compliance with the following standards and codes:

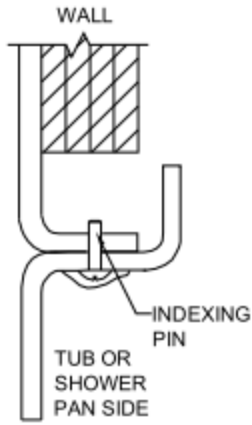
- A.N.S.I. Z124.1 Standards for Plastic Bathtubs
- I.P.C. International Plumbing Code
- U.P.C. Uniform Plumbing Code

NOTICE OF LIMITATION:

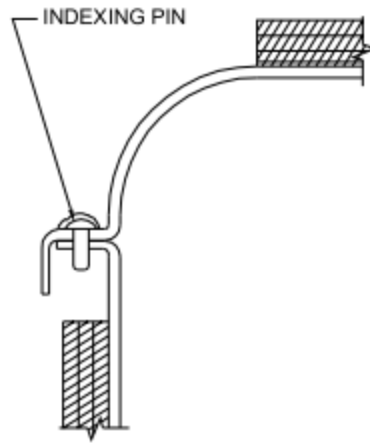


www.orcahealthcare.com
1-888-761-9451

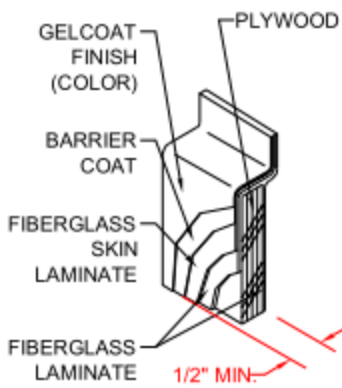
Remodeler



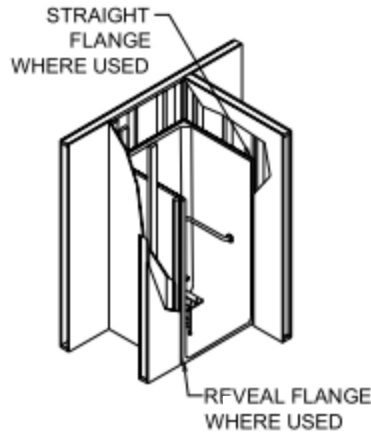
DETAIL A - SCALE: NTS
TUB/WALL JOINT DETAIL



DETAIL B - SCALE: NTS
WALL JOINT DETAIL



WALL SECTION DETAIL
SCALE: 3" = 1'-0"



TYPICAL FRAMING
SCALE: NTS



www.orcahealthcare.com
1-888-761-9451